



FCS DECOMMISSIONING UPDATE

Waste Shipping Facility Backfill



Containment Area Backfill



FINISHING STRONG

Path to Substantial Completion:

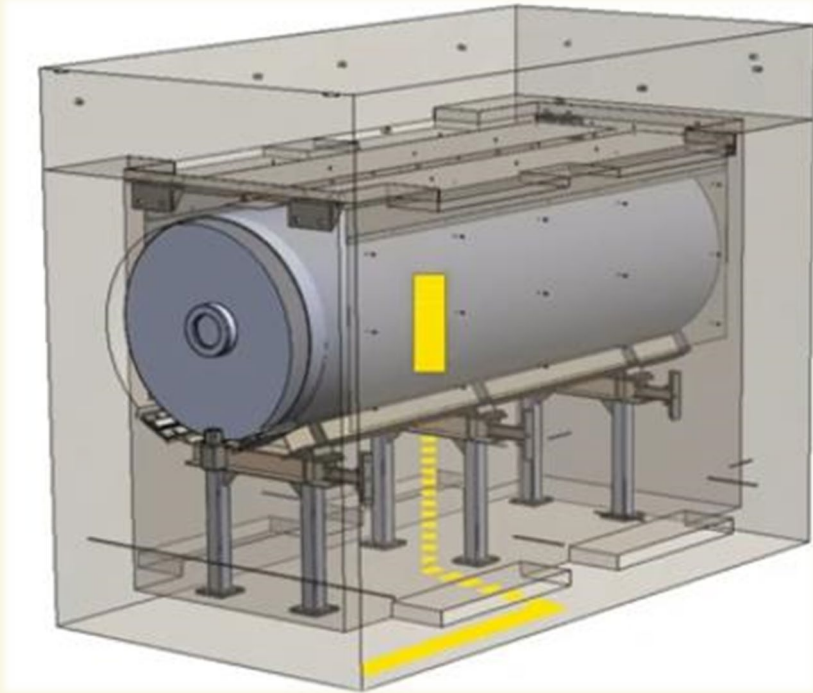
- Planned demolition work – **COMPLETE**
- Remove shipping facility – **COMPLETE**
- Restore demo areas to grade – **COMPLETE**
- Conduct radiological surveys – in progress



Additional OPPD staffing reductions anticipated in the 3rd & 4th quarters



AGING MANAGEMENT INSPECTION



Used Fuel Storage System

- Initial inspection required after 20 years of service
- Robotics, cameras and sensors are used to inspect the canister for degradation
- Concrete modules are included in the inspection

