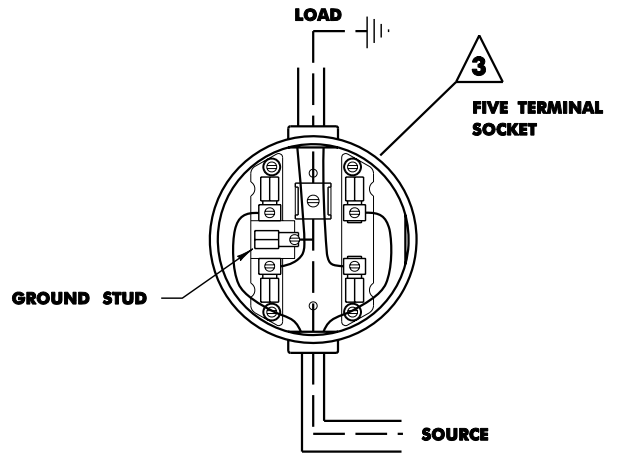
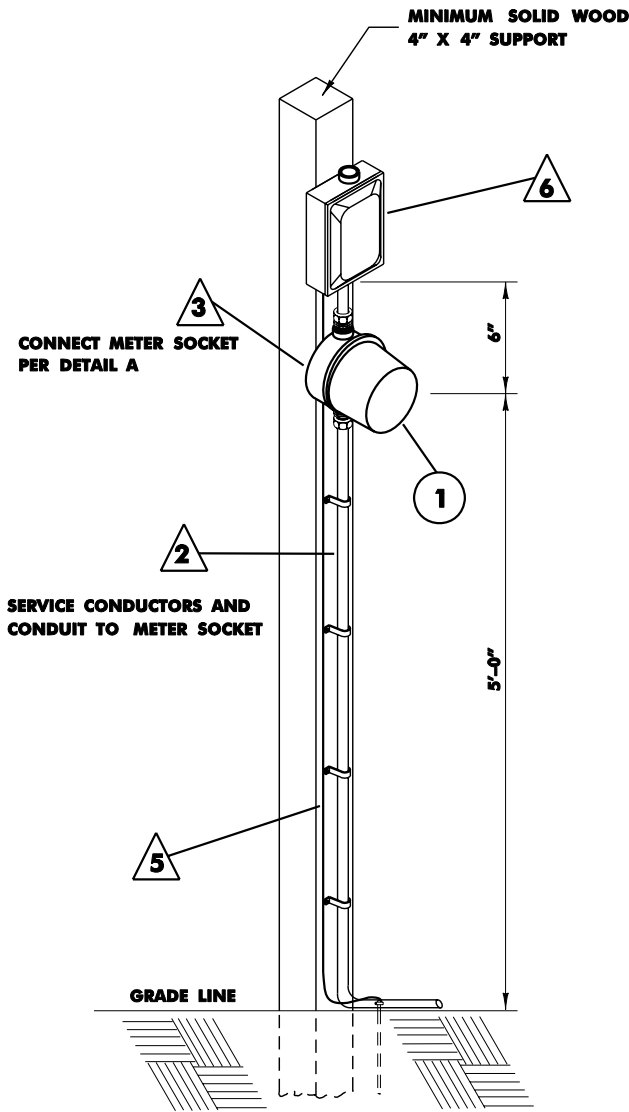


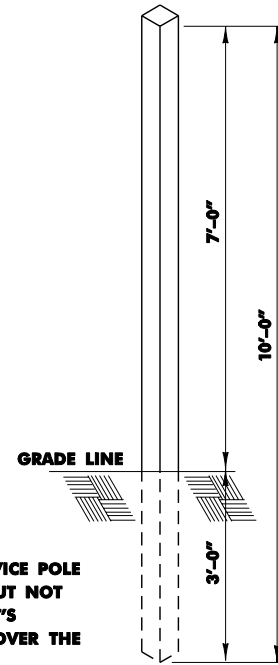
UNDERGROUND TEMPORARY SERVICE POST FOR USE DURING CONSTRUCTION

5.55

M101
M201



DETAIL A



DETAIL B

NOTES:

UNDERGROUND TEMPORARY SERVICE POLE SHALL BE SET AT LEAST 3 FEET BUT NOT OVER 6 FEET FROM THE DISTRICT'S SECONDARY PEDESTAL, BUT NOT OVER THE DISTRICT'S CABLES.

CUSTOMER TO FURNISH ALL MATERIAL, EXCEPT WHERE NOTED.

ALL MATERIAL FURNISHED BY THE CUSTOMER SHALL EQUAL OR EXCEED THE STANDARDS AS SPECIFIED IN THE "NATIONAL ELECTRICAL CODE."

LEVER BY-PASS NOT REQUIRED FOR TEMP SOCKETS.