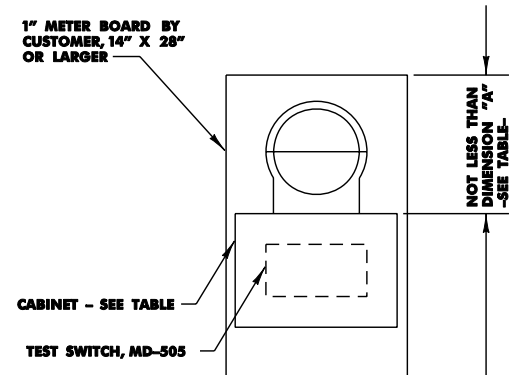
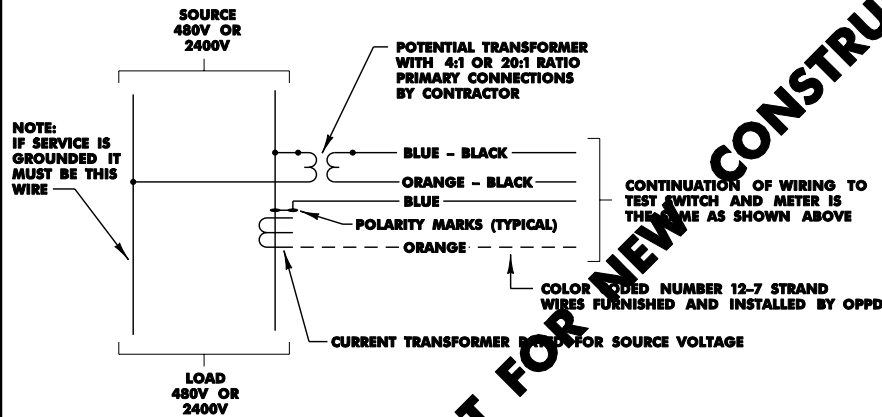
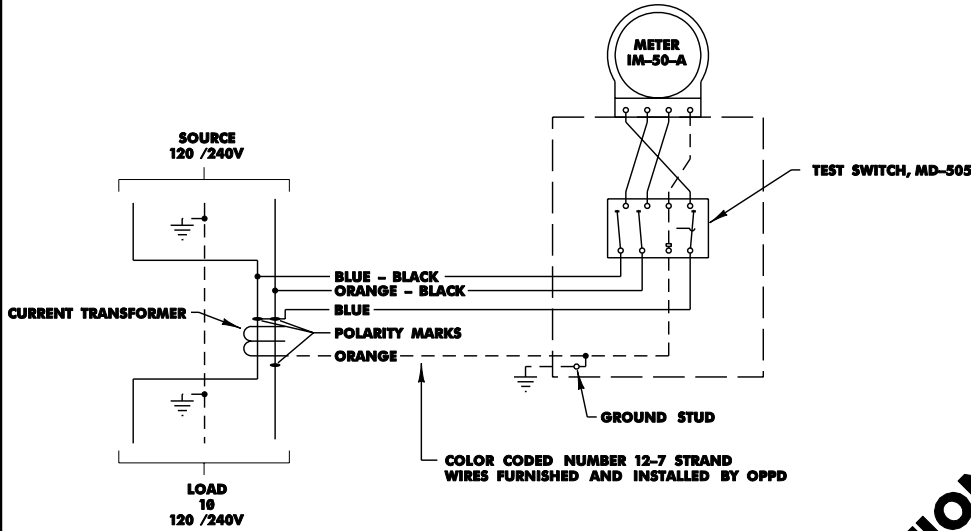


SINGLE PHASE "A" BASE METERING

FOR USE WITH INSTRUMENT TRANSFORMERS

4.06.2



NOT FOR NEW CONSTRUCTION

- TABLE -

SERVICE	CABINET	DIMENSION "A"
120 /240 V	MD - 1190	12"
480 V	MD - 1190-B	17"
2400 V	MD - 1190-B	17"

NOTES:

CUSTOMER TO FURNISH AND INSTALL "NATIONAL ELECTRICAL CODE" GRADE STEEL CABINET OF ADEQUATE SIZE FOR THE INSTRUMENT TRANSFORMERS AND ALL WIRING CONNECTIONS

SERVICE ENTRANCE NEUTRAL MUST BE BONDED TO CURRENT TRANSFORMER CABINET

CUSTOMER TO FURNISH AND INSTALL 1" CONDUIT FROM INSTRUMENT TRANSFORMER CABINET TO METER CABINET

FOR LUG CONNECTIONS ON CURRENT TRANSFORMER UP TO 600 AMPERES MINIMUM BOLT SIZE 3/8" OVER 600 AMPERES MINIMUM BOLT SIZE 1/2"

